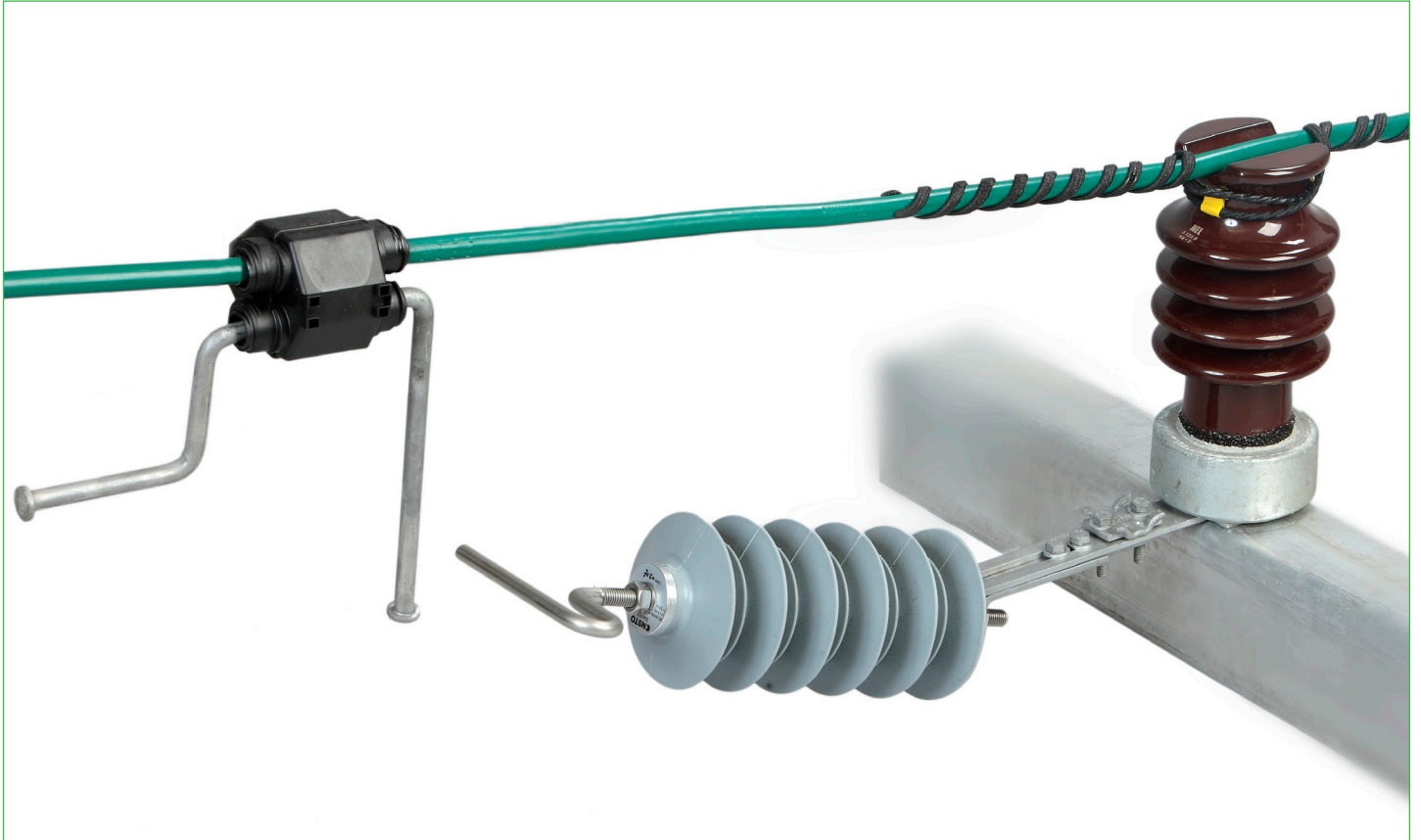




Saves Your Energy

Current Limiting Protection Devices

for reliable electricity distribution



SDI46.7, SDI46.710 & SDI46.5, SDI46.510, SDI46.545-10
SDI3143.2

Overhead lines can be both cost-effective and reliable in terms of electricity distribution. This is achieved by using covered conductor technology and advantageous line and system design. One important way to improve the quality of electricity is to use new protection devices.



Saves Your Energy

SDI46.7, SDI46.710 & SDI46.5, SDI46.510, SDI46.545-10

New current limiting devices

The advantages of new current limiting devices compared to traditional arc-protection methods are as follows:

- Operation of the protection device does not require high-speed auto re-closure operation (no automatic switching operations at substation) - short (< 1 s) interruptions in distribution are eliminated!
- The protection devices are not dependent on the direction of power supply - the devices can be placed on different sides of the crossarm, which increases the distance between the bare parts under tension. This reduces, for instance, the probability of failures caused by tree branches moving along the line when high winds.
- Temporary contacts with animals or foreign objects do not interrupt power supply.

Content of the set

The complete set includes a surge arrester, a fixing bracket, a connector, arc horns and a cover for the connector. Sets with pin-insulator attachment are SDI46.7 (20 kV) and SDI46.710 (10 kV). Sets with line post insulator attachment are SDI46.5 (20 kV), SDI46.510 (10 kV) and SDI46.545-10 (45 kV).

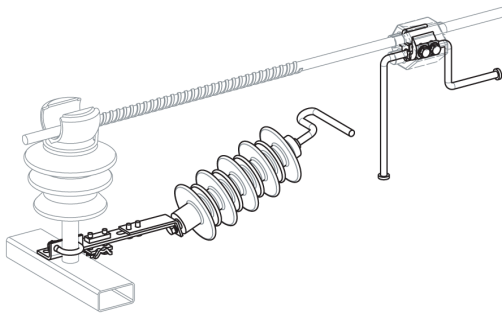
One set is for one phase.
Three sets are required for one crossarm.

The crossarm must be earthed!

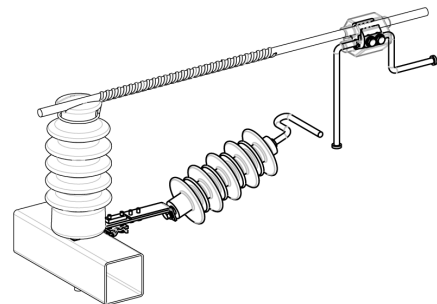
To achieve reliable and cost-efficient electricity distribution, the following aspects are taken into consideration:

- Use of covered conductor systems.
- Carefull planning of line location.
- Use of new protection devices.

TYPE	EAN	FOR CONDUCTORS mm	NOMINAL VOLTAGE kV	ARC GAP mm	WEIGHT kg	PACKAGE
SDI46.7	6418677401626	35 - 157	20	75 ± 5	3.0	1/45
SDI46.710	6418677419102	35 - 157	10	45 ± 5	2.3	1/45
SDI46.5	6418677418631	35 - 157	20	75 ± 5	3.86	1/54
SDI46.510	6418677418655	35 - 157	10	45 ± 5	3.16	1/54
SDI46.545-10	6438100303068	35-157	45	105 ± 5	8.4	1/



SDI46.7



SDI46.5

SDI3143.2

Protection of small distribution transformers

Using current limiting devices for transformer protection is as beneficial as using them to protect covered conductors. The number of high-speed automatic reclosures can be reduced significantly compared to the widely used power arc devices – thus, a resistant and maintenance-free protection method is achieved.

Ensto has renewed the product range of its current limiting devices for small transformers (< 200 kVA). A special attention has been given to easy usability:

- all necessary parts with one product code
- easy to adjust surge arrester support
- use of the familiar KG connector in connecting the lead-in insulator of the transformer.
- easy-to-install protective covers

Content of the set

One set includes:

- 3 surge arresters
- 3 electrodes attached to the bushing insulator of the transformer
- 3 protective covers with fasteners
- 1 surge arrester support with fasteners

TYPE	EAN	WEIGHT kg
SDI3143.2	6418677453618	12.5

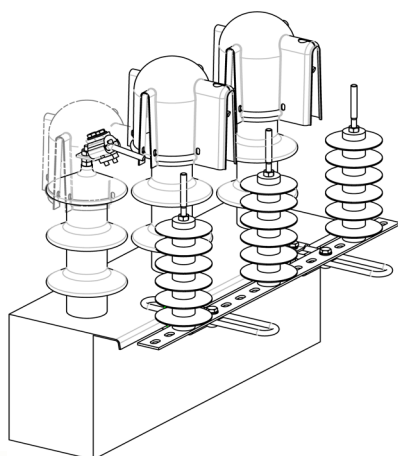
Surge arrester SGA1518.10

The surge arrester, the functional component of Ensto's current limiting devices, can also be ordered separately with the code SGA1518.10. The technical information of SGA1518.10 is listed below.

Ensto's reliable technology for energy efficient, safe and environmentally friendly electricity network building together with our reputation as a reliable partner are highly appreciated by customers worldwide.

For more information please visit our Internet pages, www.ensto.com.

TYPE	EAN	CONTINUOUS OPERATING VOLTAGE U_c kV	RATED VOLTAGE U_n kV	NOMINAL DISCHARGE CURRENT I_n kA	RESIDUAL VOLTAGE AT 10 kA LIGHTNING IMPULSE CURRENT (8/20 ms) kV	HEIGHT H mm	WEIGHT kg	PIECES
SGA1518.10	6418677459122	15	18	10	59.3	245	2.7	3



SDI3143.2



Saves Your Energy

Ensto Finland Oy
Ensio Miettisen katu 2, P.O. Box 77
FIN-06101 Porvoo, Finland
utility.networks@ensto.com
www.ensto.com